

BACKGAMMON CLUB LEUVEN CHAMPIONSHIP 2011

28 OCTOBER

Participant	Pos	CP	TW	TP	TML	ML 5	ML 3	ML 1
Johan Segers	1	34	1	1	20	20	0	0
Marc Van Haverbeke	2	18	0	1	10	10	0	0
Patrick De Wilde	3	18	0	1	12	0	12	0
Luc Palmans	4	10	0	1	8	5	3	0
Toon Van Herreweghen	5	10	0	1	7	5	0	2
Guy Van Middeltem	6	2	0	1	6	5	0	1
Alain Chif	7	2	0	1	6	5	0	1
Zsolt Tasnadi	8	2	0	1	0	0	0	0

CP = **C**hampionship **P**oints

TW = **T**ournament **W**on

TP = **T**ournament **P**articipation

TML = **T**otal of **M**atch **L**ength won

<http://www.backgammon-leuven.be/>

Main

Match to
5

Match to
5

Match to
5

Match to
5

NB Players
8

M1

Toon

loser to C1

M16
Bye

M17
Toon

loser to C12

M25
Toon

M8

Alain

loser to C2

M9
Bye

M18
Alain

M4

Zsolt

loser to C3

M13
Bye

M19
Zsolt

loser to C11

M26
Marc

M5

Marc

loser to C4

M12
Bye

M20
Marc

M2

Luc

loser to C5

M15
Bye

M21
Luc

loser to C10

M27
Luc

M7

Guy

loser to C6

M10
Bye

M22
Guy

M3

Patrick

loser to C7

M14
Bye

M23
Patrick

loser to C9

M28
Johan

M6

Johan

loser to C8

M11
Bye

M24
Johan

loser to C13

M29
Marc

loser to C14

M30
Johan

First

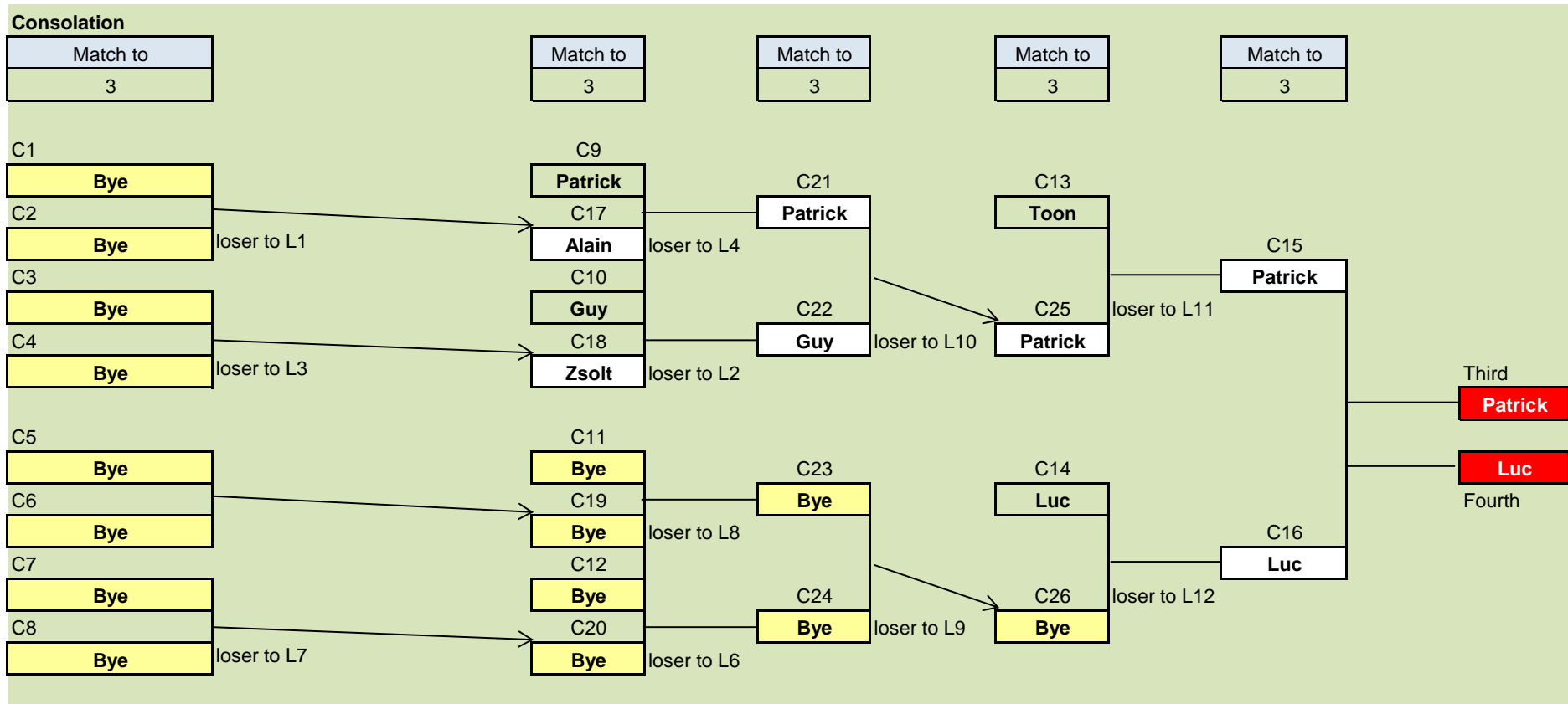
Johan

M31

Second

Marc

M32



Due to a mistake Alain and Zsolt should have been placed to C11 and C12 but the games were already played and the next ones were already engaged and therefore we could not stop and decide to go ahead.

Last Chance

