

BACKGAMMON CLUB LEUVEN CHAMPIONSHIP 2011

25 MARCH

Participant	Pos	CP	TW	TP	TML	ML 5	ML 3	ML 1
Luc Palmans	1	38	1	1	15	15	0	0
Johan Segers	2	20	0	1	15	15	0	0
Toon Van Herreweghen	3	20	0	1	11	5	6	0
Guy Van Middelem	4	11	0	1	8	5	3	0
Patrick De Wilde	5	11	0	1	2	0	0	2
Dan Pascu	6	2	0	1	7	0	6	1
Marc van Haverbeke	7	2	0	1	3	0	3	0
Alain Chif	8	2	0	1	1	0	0	1
Zsolt Tasnadi	9	2	0	1	0	0	0	0

CP = **C**hampionship **P**oints

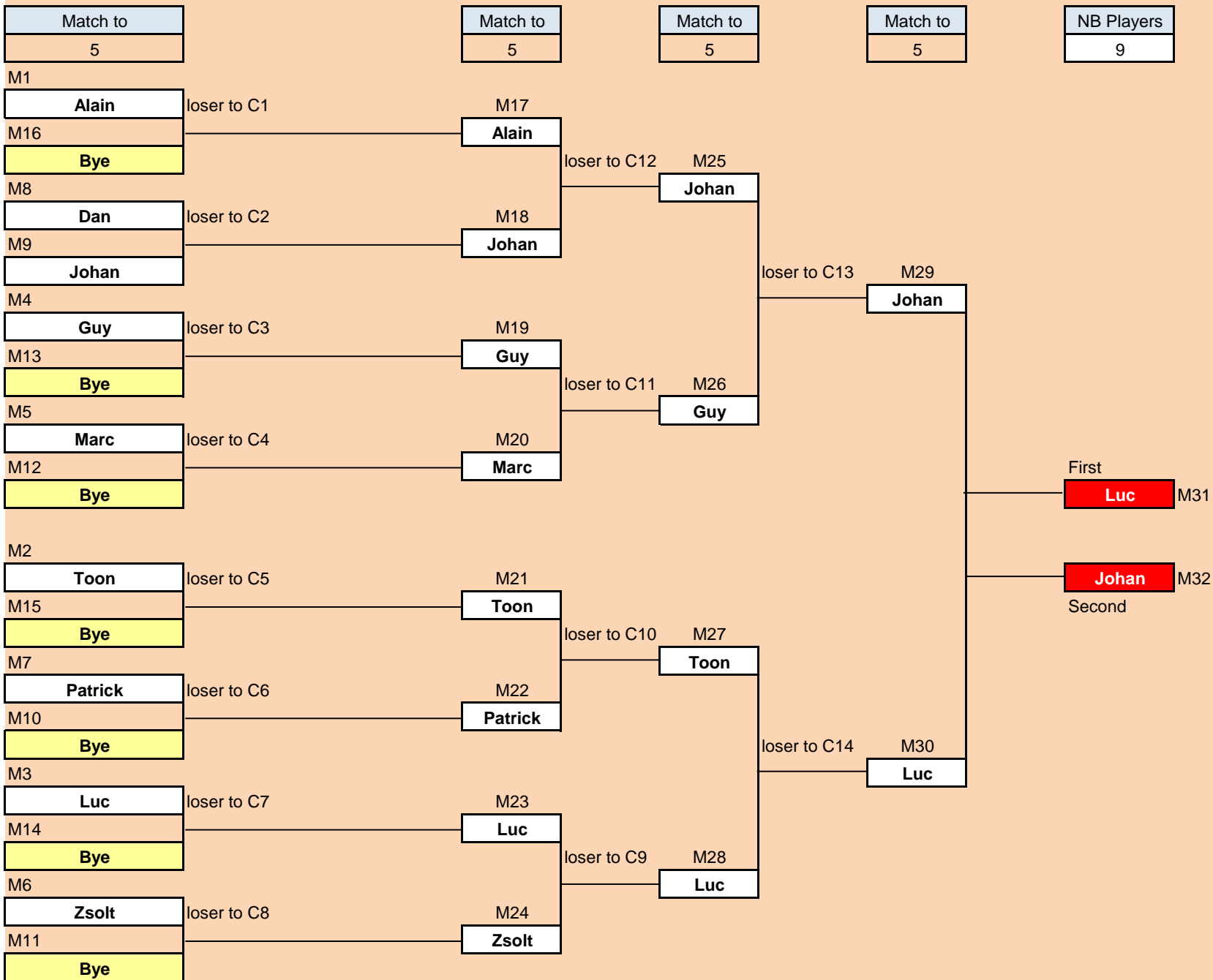
TW = **T**ournament **W**on

TP = **T**ournament **P**articipation

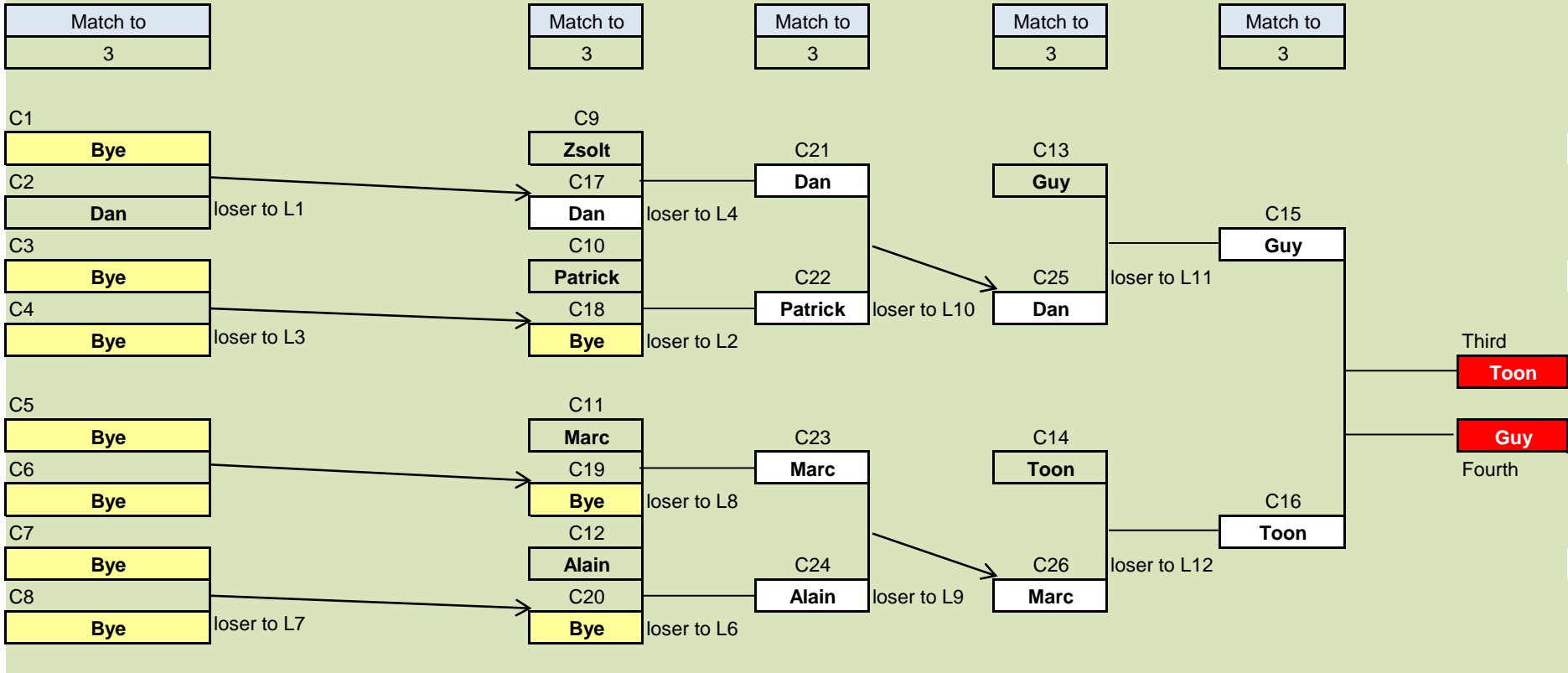
TML = **T**otal of **M**atch **L**ength won

<http://www.backgammon-leuven.be/>

Main



Consolation



Last Chance

